



## TH1 DAVE SANDERS DIRECT WH9010 GRASS

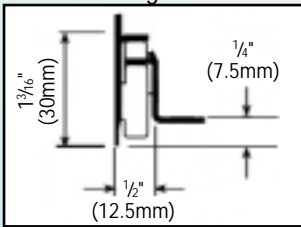
Bottom Mounted  
Euro Style-Self Closing  
3/4 Extension  
75 lbs. load/ pair

### Applications:

Kitchen cabinets, utensil, cutting board, dresser, and box drawers

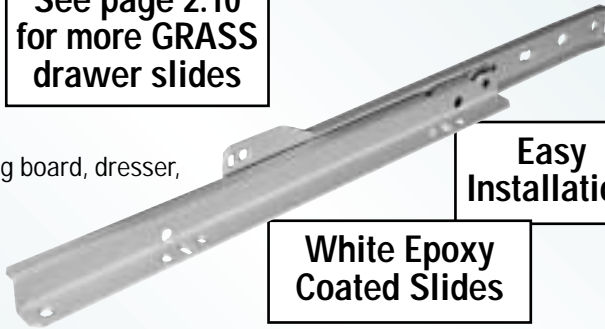
### Features of TH1

- One side captive
- Self-closing
- White epoxy finish
- 1.2mm steel
- Durable, quiet, nylon rollers
- Hold-out detent
- Both 32mm and traditional hole patterns
- Side mounting holes



TH1 Specifications

See page 2.10  
for more GRASS  
drawer slides



White Epoxy  
Coated Slides

Easy  
Installation

Bottom Mounted, Durable,  
Self-Closing Euro Slide

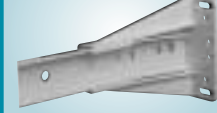
### Ordering Info for The TH1

Finish: white  
Packaging: 25 pairs per carton  
Recommended screw #6 x 5/8" flathead  
(not included) **Sold in Full Cartons Only**  
Price per pair

Length	Item	25-100	125-275	300+
12"	TH112	\$1.11	\$.91	Call
20"	TH120	1.61	1.30	Call
22"	TH122	1.70	1.33	Call
24"	TH124	1.86	1.40	Call

Lengths can be mixed for quantity pricing

### Rear Mount Brackets for TH1



TH1RMS \$ .45 pair

Incredible  
Low Pricing

On quantities over 300 pairs  
Please Call For Pricing

### Ordering Info for The GRASS Slide

Finish: white  
Packaging: 25 pairs per carton  
Recommended screw #6 x 5/8" flathead  
(not included) **Sold in Full Cartons Only**  
Price per pair

Length	Item	25-275	300+
12"	WH9010-12	\$2.01	Call
14"	WH9010-14	2.19	Call
16"	WH9010-16	2.37	Call
18"	WH9010-18	2.54	Call
20"	WH9010-20	2.76	Call
22"	WH9010-22	2.99	Call
24"	WH9010-24	3.34	Call

Lengths can be mixed for quantity pricing

## 1029 Accuride®

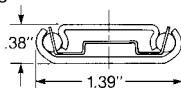
3/4 Extension  
Center Mount Slide  
35 lbs. load

### Applications

Kitchen and bath cabinets  
Bedroom and dining room case goods

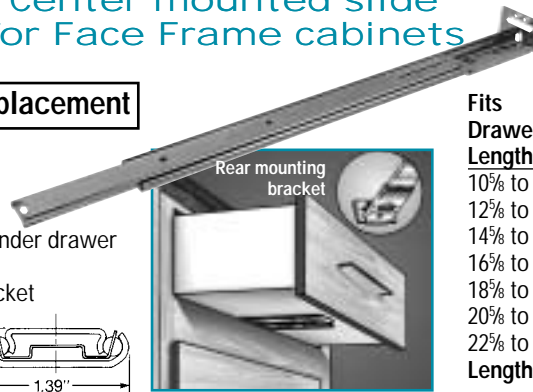
### Features

- Under mount. Single slide concealed under drawer
- Eliminates side space requirements
- Includes adjustable rear mounting bracket
- Traditional hole pattern
- Friction disconnect
- Steel ball bearings



Center mounted slide  
for Face Frame cabinets

Great for replacement



### Ordering Info

Finish: Zinc  
Packaging: 1 piece, polybag with #8 x 1/2" binderhead screw

Fits Drawer Lengths	Fits Cabinet Depth	Slide Number	Price each		
			1-9	10-89	90+
10 5/8" to 12 1/2"	13" to 14 1/2"	1029-113	\$5.12	\$4.61	Call
12 5/8" to 14 1/2"	15" to 16 1/2"	1029-115	5.35	4.82	Call
14 5/8" to 16 1/2"	17" to 18 1/2"	1029-117	5.48	4.93	Call
16 5/8" to 18 1/2"	19" to 20 1/2"	1029-119	5.67	5.10	Call
18 5/8" to 20 1/2"	21" to 22 1/2"	1029-121	5.82	5.24	Call
20 5/8" to 22 1/2"	23" to 24 1/2"	1029-123	6.19	5.58	Call
22 5/8" to 24 1/2"	25" to 26 1/2"	1029-125	6.91	6.22	Call

Lengths can be mixed for quantity pricing

## 2109 Accuride®

Variable Height Keyboard  
and Pencil Drawer Slide  
3/4 extension, 75 lbs./pair

### Applications

Keyboard, pencil and under desk drawers

### Features

- Mounts under desk/counter or to side of drawer
- Inboard or outboard bracket mounting
- Easy friction disconnect
- Traditional hole patterns
- Hold-out detent secures shelf in open position
- Steel ball bearings
- Height adjustable: 2 3/8" - 3 11/16"

All necessary mounting hardware included.  
Tray not included.



\*Black-non stock. Requires 50 pc. minimum (non-returnable).  
Add 10% up charge for black and (BL) to end of item #.

### Ordering Info

Finish: Zinc (in stock.)\*  
Packaging: 1 pair, Polybag with #8 x 1/2" binderhead screw

Length	Item	Price per pair		
		1-9	10-89	90+
12"	2109-12D	\$15.16	\$13.64	Call
14"	2109-14D	15.24	13.72	Call
16"	2109-16D	15.36	13.82	Call
18"	2109-18D	15.52	13.97	Call
20"	2109-20D	15.72	14.15	Call
22"	2109-22D	15.89	14.30	Call
24"	2109-24D	16.12	14.51	Call
26"	2109-26D	16.30	14.67	Call
28"	2109-28D	16.92	15.23	Call

Lengths can be mixed for quantity pricing

- Check out Storage & Convenience
- Check out Keyboard Slides

## 2632 *Accuride*

Full Extension Slide  
Very Low Profile

75 lbs. load/ pair

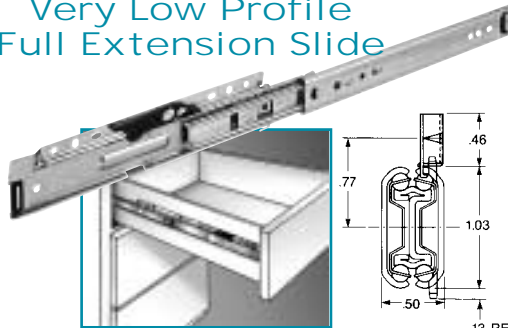
### Applications

- Cabinets, desks, and kitchen drawers

### Features

- Side mount. Side clearance-1/2"
- Rail mounting for easy disconnect
- Hold-in detent prevents drawer roll-out and bounce-back
- Both 32mm and traditional hole patterns
- Steel ball bearings

## Very Low Profile Full Extension Slide



\*Black-non stock. Requires 50 pc. minimum (non-returnable.)  
Add 10% up charge for black and (BL) to end of item #.

### Ordering Info

Finish: Zinc (in stock.) \*

Packaging: 1 pair, polybag with #8 x 1/2" binderhead screw

Price per pair

Length	Item	1-9	10-89	90+
8"	2632-8"	\$15.48	\$13.16	Call
10"	2632-10"	15.59	13.25	Call
12"	2632-12"	15.71	13.35	Call
14"	2632-14"	15.87	13.49	Call
16"	2632-16"	16.09	13.68	Call
18"	2632-18"	16.67	14.17	Call
20"	2632-20"	17.24	14.65	Call
22"	2632-22"	17.82	15.15	Call

Lengths can be mixed for quantity pricing

## 3832 *Accuride*

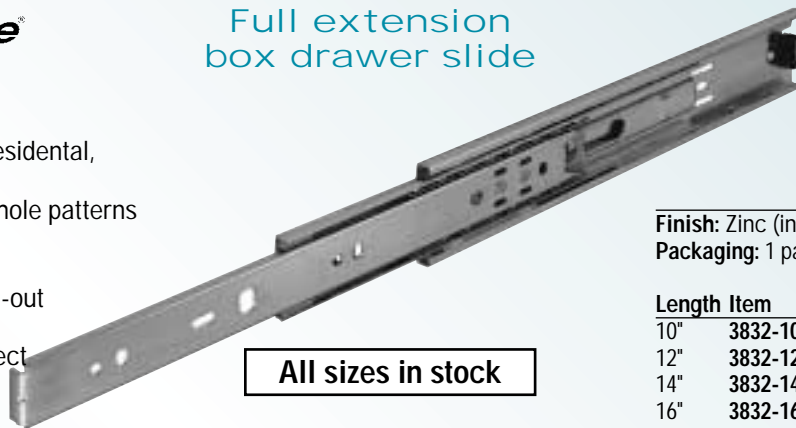
Box Drawer Slide  
Full Extension

100 lbs. load/ pair

Applications: Commercial, residential, and kitchen drawers

- Both 32mm and traditional hole patterns
- Side Mounting
- Steel ball bearings
- Hold-in detent prevents roll-out and bounce-back
- Non-handed lever disconnect
- Uses #6 pan head screws (not included)

## Full extension box drawer slide



All sizes in stock



### Ordering Info

Finish: Zinc (in stock.)

Packaging: 1 pair, polybag (screws not included.)

Price per pair

Length	Item	Color	1-49	50-299	300+
10"	3832-10"	Zinc	\$8.54	\$7.26	Call
12"	3832-12"	Zinc	8.61	7.32	Call
14"	3832-14"	Zinc	8.84	7.51	Call
16"	3832-16"	Zinc	9.09	7.72	Call
18"	3832-18"	Zinc	9.34	7.94	Call
20"	3832-20"	Zinc	9.74	8.28	Call
22"	3832-22"	Zinc	10.44	8.87	Call
24"	3832-24"	Zinc	10.95	9.30	Call
26"	3832-26"	Zinc	11.45	9.74	Call
28"	3832-28"	Zinc	12.44	10.57	Call

Lengths can be mixed for quantity pricing

### Ordering Info

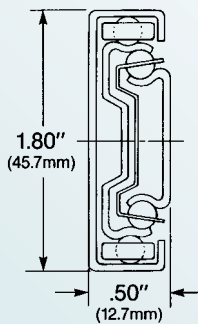
Finish: Black

Packaging: 1 pair, polybag (screws not included.)

Price per pair

Length	Item	Color	1-49	50-299	300+
10"	CB3832-10"	Blk	\$10.48	\$8.91	Call
12"	CB3832-12"	Blk	10.60	9.01	Call
14"	CB3832-14"	Blk	10.72	9.11	Call
16"	CB3832-16"	Blk	11.00	9.35	Call
18"	CB3832-18"	Blk	11.28	9.59	Call
20"	CB3832-20"	Blk	11.72	9.96	Call
22"	CB3832-22"	Blk	12.48	10.60	Call
24"	CB3832-24"	Blk	13.04	11.08	Call
26"	CB3832-26"	Blk	13.60	11.56	Call
28"	CB3832-28"	Blk	14.68	12.48	Call

Lengths can be mixed for quantity pricing



### 3832 Self Closing Slide Ordering Info

Finish: Zinc

Packaging: 1 pair, polybag (screws not included.)

Price per pair

Length	Item	Color	1-9	10-49	50+
12"	3832-12"SC	Zinc	\$11.04	\$9.38	Call
14"	3832-14"SC	Zinc	11.24	9.55	Call
16"	3832-16"SC	Zinc	11.52	9.79	Call
18"	3832-18"SC	Zinc	11.84	10.06	Call
20"	3832-20"SC	Zinc	12.28	10.44	Call
22"	3832-22"SC	Zinc	13.04	11.08	Call
24"	3832-24"SC	Zinc	13.60	11.56	Call
26"	3832-26"SC	Zinc	14.12	12.00	Call

Lengths can be mixed for quantity pricing

### 3832 Self Closing Slide Ordering Info

Finish: White

Packaging: 1 pair, polybag (screws not included.)

Price per pair

Length	Item	Color	1-9	10-49	50+
12"	EW3832-12"SC	White	\$12.46	\$10.59	Call
14"	EW3832-14"SC	White	12.84	10.91	Call
16"	EW3832-16"SC	White	13.12	11.15	Call
18"	EW3832-18"SC	White	13.44	11.42	Call
20"	EW3832-20"SC	White	13.88	11.80	Call
22"	EW3832-22"SC	White	14.64	12.44	Call
24"	EW3832-24"SC	White	15.20	12.92	Call
26"	EW3832-26"SC	White	15.72	13.36	Call

Lengths can be mixed for quantity pricing

Accuride's Most Popular Slide



## 3017 *Accuride*

Full Extension + 1" Overtravel  
Box & File Drawer Slide  
100 lbs. load/pair

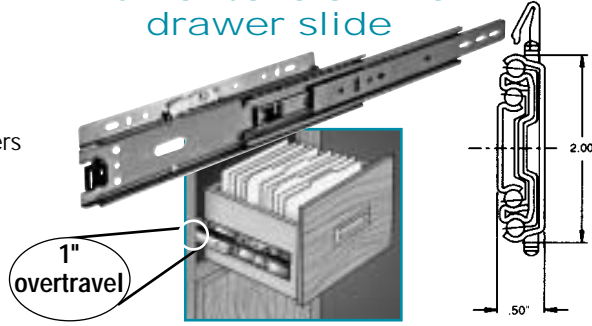
### Applications:

File, desk, credenza, & storage drawers

### Features

- Side mount
- Rail mounting for easy disconnect
- Hold-in detent prevents drawer roll-out and bounce-back
- Traditional hole patterns
- Silent polymer ball bearings

## Full extension file drawer slide



\*Black-non stock. Requires 50 pc. minimum (non-returnable.)  
Add 10% up charge for black and (BL) to end of item #.

### Ordering Info

Finish: Zinc (in stock.)\*

Packaging: 1 pair, Polybag with #8 x 1/2" binderhead screw.

Length	Item	Price per pair		
		1-19	20-89	90+
12"	3017-12"	\$18.31	\$15.56	Call
14"	3017-14"	19.11	16.25	Call
16"	3017-16"	19.69	16.79	Call
18"	3017-18"	20.31	17.26	Call
20"	3017-20"	20.93	17.80	Call
22"	3017-22"	21.51	18.28	Call
24"	3017-24"	22.13	18.81	Call
26"	3017-26"	22.75	19.34	Call
28"	3017-28"	23.38	19.87	Call

Lengths can be mixed for quantity pricing

## 3640 *Accuride*

Full Extension + 1" Overtravel  
Heavy Duty Storage Drawer  
and Lateral File Slide

200 lbs. load/pair-side mount

75 lbs. load/pair-flat mount

### Applications

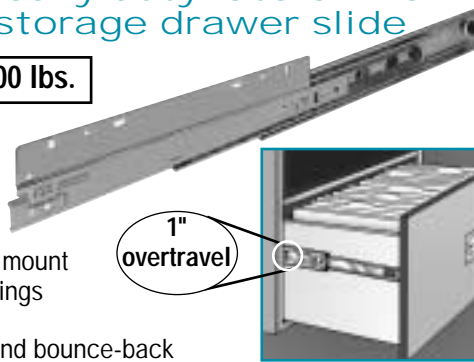
Lateral files 30" wide and over.

### Features

- Rail mount- side mount or undercarriage mount
- Traditional hole patterns • Steel ball bearings
- Rail mount for easy lift-off
- Hold-in detent prevents drawer roll-out and bounce-back

## Heavy duty lateral file storage drawer slide

Up to 200 lbs.



### Ordering Info

Finish: Zinc

Packaging: 1 pair, Polybag with #8 x 1/2" binderhead screw.

Length	Item	Price per pair		
		1-19	20-79	80+
12"	3640-12"	\$24.58	\$20.89	Call
14"	3640-14"	25.77	21.91	Call
16"	3640-16"	26.97	22.93	Call
18"	3640-18"	29.38	24.97	Call
20"	3640-20"	31.20	26.52	Call
22"	3640-22"	31.86	27.09	Call
24"	3640-24"	34.80	29.58	Call
26"	3640-26"	36.58	31.09	Call
28"	3640-28"	38.97	33.13	Call

Lengths can be mixed for quantity pricing

## 3641 *Accuride*

Full Extension + 1" Overtravel  
Heavy Duty Storage Drawer  
and Lateral File Slide

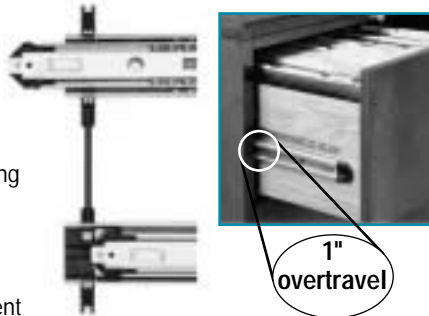
### Applications

- Lateral file drawers, when only one drawer should be open at a time to prevent tilt.

### Features

- Front location eliminates reaching when installing
- Easy interface with a central locking system
- Adjustable rod lengths accommodate modular cabinet construction
- Self-contained system reduces installation time
- Rod and cam construction requires no adjustment

## Interlocking, anti-tilt drawer slide system



### Ordering Info

Finish: Zinc

Packaging: 1 set is for two drawers, (i.e. for seven drawers, purchase four sets)  
All mounting hardware included.

Length	Item	Price per set		
		1-19	20-79	80+
16"	3641-16X	\$33.91	\$30.51	Call
18"	3641-18X	36.31	32.67	Call
20"	3641-20X	38.13	34.32	Call
22"	3641-22X	39.91	35.91	Call

Lengths can be mixed for quantity pricing

## 4034 *Accuride*

Full Extension + 1" Overtravel  
Progressive File Drawer  
150 lbs. load/pair

### Applications:

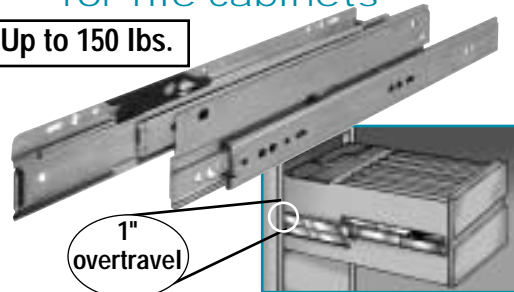
- For drawers up to 24" wide in desks, lateral files and store fixtures

### Features

- Side mount
- Both 32mm and traditional hole patterns
- Rail mounting for easy lift-off
- Hold-in detent prevents drawer roll out and bounce-back
- Steel ball bearings

## Full extension slide for file cabinets

Up to 150 lbs.



\*Black-non stock. Requires 50 pc. minimum (non-returnable.)  
Add 10% up charge for black and (BL) to end of item #.

### Ordering Info

Finish: Zinc (in stock.)\*

Packaging: 1 pair, Polybag with #8 x 1/2" binderhead screw.

Length	Item	Price per pair		
		1-19	20-99	100+
12"	4034-12"	\$17.82	\$15.15	Call
14"	4034-14"	18.62	15.83	Call
16"	4034-16"	19.42	16.51	Call
18"	4034-18"	21.07	17.91	Call
20"	4034-20"	22.26	18.93	Call
22"	4034-22"	23.47	19.95	Call
24"	4034-24"	24.66	20.97	Call
26"	4034-26"	25.91	22.02	Call
28"	4034-28"	27.51	23.38	Call

Lengths can be mixed for quantity pricing



- Check out **Functional Cabinet Hardware**
- Check out **Watertown Table Slides**

## 7434 **Accuride**

**Full Extension Slide + 1" Overtravel**  
**Box & File Drawer Slide**  
**100 lbs. load/pair**

### Applications

- File, desk & storage drawers

### Features

- Side mount
- Hold-in detent prevents drawer roll out and bounce-back
- Both 32mm and traditional hole pattern
- Smooth progressive movement
- Low profile • Steel ball bearings

## Box and File Drawers to 24" Wide



\*Black-non stock. Requires 50 pc. minimum (non-returnable.) Add 10% up charge for black and (BL) to end of item #.

### Ordering Info

**Finish:** Zinc (in stock.)\*

**Packaging:** 1 pair, Polybag with #8 x 1/2" binderhead screw.

Length	Item	Price per pair		
		1-19	20-99	100+
12"	7434-12"	\$14.48	\$12.32	Call
14"	7434-14"	14.88	12.66	Call
16"	7434-16"	15.06	12.81	Call
18"	7434-18"	15.51	13.18	Call
20"	7434-20"	16.09	13.68	Call
22"	7434-22"	16.71	14.20	Call
24"	7434-24"	17.28	14.64	Call
26"	7434-26"	18.53	15.75	Call
28"	7434-28"	20.36	17.30	Call

Lengths can be mixed for quantity pricing

## 322 **Accuride**

**Full Extension Slide + 7/8"**  
**100 lbs. load/pair**

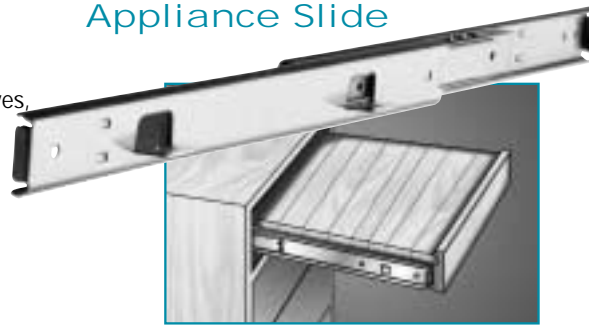
### Applications

- Kitchen appliance drawer, Pan Shelves, Entertainment center shelves.

### Features

- Tab mounting/disconnect

## Full Extension Appliance Slide



### Ordering Info

**Finish:** Zinc

**Packaging:** 1 pair includes mounting hardware

Length	Item	Price per set		
		1-9	10-89	90+
12"	322-12"	\$31.02	\$26.36	Call
14"	322-14"	32.35	27.50	Call
16"	322-16"	33.42	28.41	Call
18"	322-18"	34.44	29.27	Call
20"	322-20"	35.46	30.15	Call
22"	322-22"	37.11	31.54	Call
24"	322-24"	39.15	33.28	Call
26"	322-26"	41.24	35.06	Call
28"	322-28"	43.24	36.76	Call

Lengths can be mixed for quantity pricing

## 301-2590 **Accuride**

**Full Extension Slide + 7/8"**  
**130 lbs. load/pair**

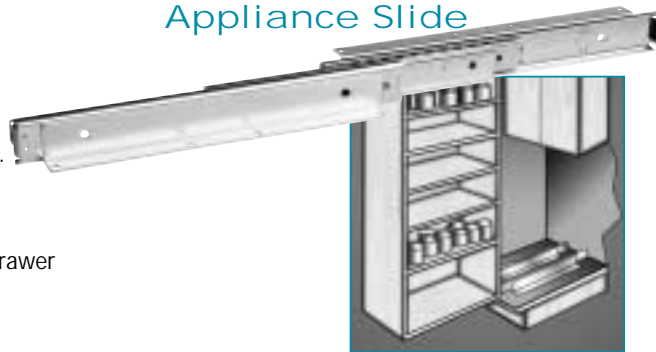
### Applications

- Kitchen appliance drawer, Pantry & Pan Shelves, Entertainment center shelves.

### Features

- Mounts under shelf
- Non-disconnect
- Hold-in detent to prevent drawer roll-out and bounce-back

## Full Extension Appliance Slide



### Ordering Info

**Finish:** Zinc

**Packaging:** 1 pair

All mounting hardware included.

Length	Item	Price per set		
		1-9	10-89	90+
12"	301-2590-12"	\$39.69	\$33.73	Call
14"	301-2590-14"	44.57	37.89	Call
16"	301-2590-16"	45.24	38.46	Call
18"	301-2590-18"	45.91	39.02	Call
20"	301-2590-20"	46.62	39.62	Call
22"	301-2590-22"	47.73	40.58	Call
24"	301-2590-24"	49.06	41.70	Call
26"	301-2590-26"	50.36	42.80	Call
28"	301-2590-28"	51.69	43.94	Call

Lengths can be mixed for quantity pricing

## CB1234 **Accuride**

**Flipper Door Slide**  
**Self Aligning**

**30 lbs. load/pair**

### Applications

- Entertainment centers & kitchen cabinets

### Features

- Mounting: inset, and overlay door styles
- Horizontal and vertical concealed doors up to 42" tall & 24" wide
- Hold-out detent
- Both 32mm and traditional hole patterns
- Follower strip installation without removing slides
- Steel ball bearings

### Technical info

- Door thickness: 5/8" to 3/4".
- Door thickness of 13/16" to 1-1/4", or overlay style, require optional 40 mm hinges.

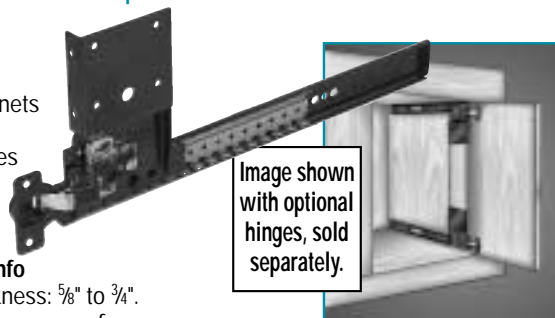


Image shown with optional hinges, sold separately.

## Flipper Door Slide for Doors up to 42"H & 30 lbs.

### Ordering Info

**Finish:** Black Zinc

**Packaging:** 1 set, Polybag with # 8 x 1/2" binder head screws.

Length	Item	Price per set		
		1-2	3-9	10+
12"	CB1234-12D	\$27.71	\$19.30	Call
14"	CB1234-14D	23.16	19.68	Call
16"	CB1234-16D	23.64	20.10	Call
18"	CB1234-18D	24.13	20.51	Call
20"	CB1234-20D	24.62	20.43	Call
22"	CB1234-22D	25.11	21.34	Call
24"	CB1234-24D	25.60	21.76	Call
26"	CB1234-26D	26.40	22.44	Call
28"	CB1234-28D	27.24	23.16	Call

Lengths can be mixed for quantity pricing

For Inset doors over 7/8" thick use CFA7P99 hinge with BAR3E09 baseplate.  
 For Overlay doors under 13/16" thick use CFA7G99 hinge with BAR3E09 baseplate.



## CB1432 **Accuride**

**Flipper Door Slide**  
**Anti-Rak, Ball Bearings**  
**75 lbs. load/ pair**

### Applications

Entertainment centers, armoires  
& commercial cabinets

### Features

- Tall doors (36" to 72") accommodated by optional hinges & carrier strips



**Flipper Door Slide for doors up to 72" and 75 lbs.**



For inset doors up to 7/8" thick. Recommended hinge is **SAC2P7A99** with **SABAR3E39** baseplate.  
For inset doors 7/8"-1 1/8" use **SACFA7G99** with **SABAR3E39**.

For overlay doors use **SACFA7A99** with **SABAR3E09**

Hinge carrier strips for doors from 31"-50" high  
**AC4180-0408-XE** \$8.28

Image shown with optional hinges, sold separately.

### Ordering Info

**Finish:** Black

**Packaging:** 1 set, Polybag with # 8 x 1/2" binder head screws.

**One set does one door.**  
Hinges are **not** included.

Length	Item	Price per set		
		1-2	3-9	10+
12"	CB1432-12"	\$44.58	\$37.89	Call
14"	CB1432-14"	45.02	38.27	Call
16"	CB1432-16"	45.51	38.68	Call
18"	CB1432-18"	46.00	39.10	Call
20"	CB1432-20"	46.53	39.55	Call
22"	CB1432-22"	46.97	39.93	Call
24"	CB1432-24"	53.24	45.26	Call
26"	CB1432-26"	48.27	41.03	Call
28"	CB1432-28"	49.11	41.74	Call

Lengths can be mixed for quantity pricing

## KV8080 **KNAPE & VOGT**

**Precision Slides for Pivot Doors with hinges. (3/8"-3/4" max.)**

**30 lb. load**

### Applications:

- Entertainment centers, Armoires & Overhead storage cabinets

### Features:

- Channels may be mounted to side of case for pocket door or to under side of top for receding doors
- Support rollers reduce door sag.
- Oversized "L" shaped follower-strip mounting plate.
- Cushioned stops and door hold-out feature.



Vertical or horizontal doors

### Ordering Info

**Finish:** Zinc

**Packaging:** 1 set with hinges & screws

**One set does one door.**

Hinges are included.

Length	Item	Price per set		
		1-2	3-9	10+
12"	8080P-12"	\$28.36	\$24.10	Call
14"	8080P-14"	28.66	24.36	Call
16"	8080P-16"	29.02	24.67	Call
18"	8080P-18"	29.33	24.93	Call
20"	8080P-20"	29.69	25.24	Call
22"	8080P-22"	30.04	25.54	Call
24"	8080P-24"	30.40	25.84	Call

Lengths can be mixed for quantity pricing

Image shown with hinges, which are included.

## 8400 **KNAPE & VOGT**

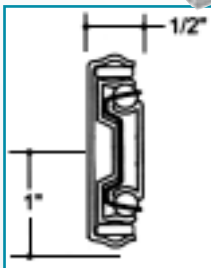
**Full Extension Slide**  
**Box Drawers up to 18" Wide**  
**100 lbs. load/pair**

### Applications

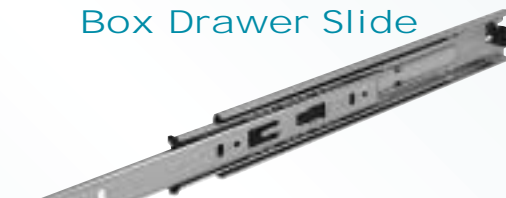
- Box drawer or pedestal drawer slides

### Features

- Side mounting
- Lever disconnect for easy drawer removal
- Non-handed
- Drawer adjustment without removal
- Polymer stop cushions
- 32mm hole pattern
- 1/2" side clearance



**Full Extension Box Drawer Slide**



Steel Ball Bearings Ensures Smooth Action



### Ordering Info

**Finish:** Zinc

**Packaging:** 1 pair, Polybag with #8 x 1/2" binderhead screw.

Length	Item	Price per pair		
		1-49	50-299	300+
10"	8400B-10"	\$8.36	\$7.11	Call
12"	8400B-12"	8.54	7.26	Call
14"	8400B-14"	8.80	7.48	Call
16"	8400B-16"	9.11	7.74	Call
18"	8400B-18"	9.44	8.02	Call
20"	8400B-20"	9.75	8.28	Call
22"	8400B-22"	10.11	8.59	Call
24"	8400B-24"	10.45	8.89	Call
26"	8400B-26"	10.82	9.20	Call
28"	8400B-28"	11.24	9.55	Call

Lengths can be mixed for quantity pricing

**8402 Optional Rear Mounting Bracket** for face frame construction. 2 3/4" max. adjustment **KV8402**. \$1.70 per pair.

- Check out European Hinges
- Check out TV Swivels

## 5632

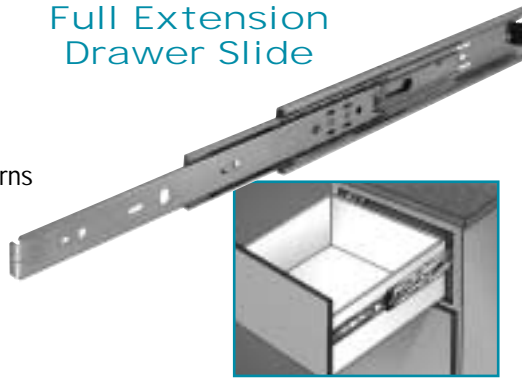
Full Extension Slide  
100 lbs. load/ pair



### Full Extension Drawer Slide

**Applications:** Commercial, residential, and kitchen drawers

- Both 32mm and traditional hole patterns
- Side Mounting
- Steel ball bearings
- Hold-in detent prevents roll-out and bounce-back
- Non-handed lever disconnect
- Uses #6 pan head screws (not included)



#### Ordering Info

**Finish:** Chromated Steel  
**Packaging:** 1 pair, polybag (screws not included.)

Length	Item	Price per pair		
		1-49	50-299	300+
10"	5632-10"	\$7.39	\$6.28	Call
12"	5632-12"	7.56	6.43	Call
14"	5632-14"	7.81	6.64	Call
16"	5632-16"	8.13	6.91	Call
18"	5632-18"	8.42	7.16	Call
20"	5632-20"	8.75	7.44	Call
22"	5632-22"	9.28	7.89	Call
24"	5632-24"	9.80	8.33	Call
26"	5632-26"	10.26	8.72	Call

Lengths can be mixed for quantity pricing

## 3320

Full Extension  
Extra Heavy Duty Storage Drawer  
500 lbs. load/pair\*



### Extra Heavy Duty Slide with lengths to 36"

Up to 500 lbs.

#### Applications

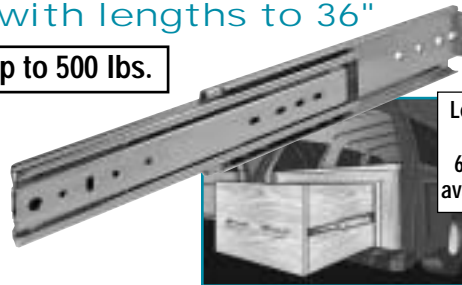
- File drawers. Heavy storage drawers.

#### Features

- Side mount
- Non-detachable members, No disconnect
- Cushioned in-and out-stops.
- Non-handed
- Steel ball bearings

#### Technical info:

- 3/4" side clearance
- \*Load based on 18"L.



Lengths up to 60" are available.

#### Ordering Info

**Finish:** Clear chromate  
**Packaging:** 1 pair

#### Recommended screws:

#10 flathead phillips (not included)

Length	Item	Price per pair		
		1-4	5-9	10+
12"	3320-12"	\$54.40	\$46.24	Call
14"	3320-14"	59.11	50.24	Call
16"	3320-16"	64.22	54.58	Call
18"	3320-18"	69.80	59.33	Call
20"	3320-20"	74.11	62.99	Call
22"	3320-22"	80.49	68.42	Call
24"	3320-24"	88.62	75.32	Call
26"	3320-26"	94.66	80.46	Call
28"	3320-28"	100.53	85.45	Call
30"	3320-30"	111.42	94.71	Call
32"	3320-32"	116.90	99.28	Call
34"	3320-34"	127.93	108.74	Call
36"	3320-36"	139.33	118.43	Call

Lengths can be mixed for quantity pricing

## Quadro V6 SFG



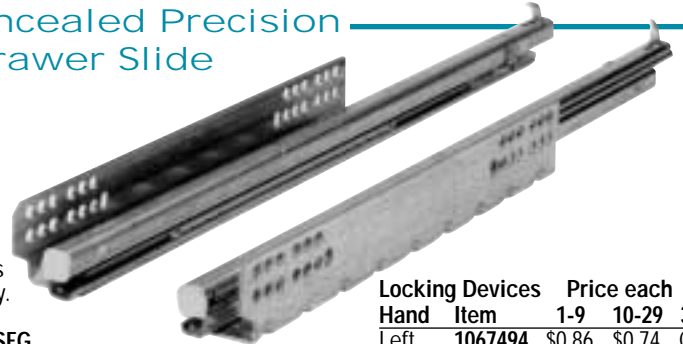
Full Extension, Concealed, Ball-Bearing Runner,  
Bottom Mounted-Auto-Close, 100 lb. load/pair

#### Applications

- Kitchen and bath cabinets, & residential furniture

#### Features

- Maintenance free through self cleaning ball tracks.
- **Soft Closure with Stop-Control**– the spring operated mechanism acts independently of load and closes the drawer safely and automatically.
- **Slide-on assembly**–place the drawer on the runners and push home.
- **Flexibility through interchangeability**– Quadro 30 SFG & Quadro V6 SFG runners interchange w/o altering cabinet, drawer or front panel dimensions.



#### Locking Devices Price each

Hand	Item	1-9	10-29	30+
Left	1067494	\$0.86	\$0.74	Call
Right	1067495	0.86	0.74	Call

#### 1. How wide do I make my drawer to accommodate this slide?

If using 5/8" material for your drawer stock, you would deduct 3/16" from the interior width of cabinet to determine the width of drawer box.  
If using 1/2" drawer material stock you would need to deduct 5/16" from the interior width of cabinet to determine the width of drawer box.

#### 2. How to determine length of the drawer box?

- If making a four sided drawer box and you want to notch for clip mechanisms you can take sizes from chart.
- If you want to avoid the machining to accommodate the clip mechanism. Add the thickness of your drawer stock to the length on chart.  
e.g: Using 1/2" drawer stock with item #1044260 you would take the 21 1/2" recommended length and add 1/2" to get 22 1/4" length of drawer box.

#### 3. The sides of the drawer must hang down 1/8" below the bottom panel or what is commonly referred to as a 1/8" recess.

#### 4. Locate and drill holes on the backside of drawer box for drawer box to engage with slide. **Hint:** Put drawer box on slide and tap gently. This will leave marks on the backside of drawerbox. You can then use those marks to drill your hole. 1/8" drill bit is used to drill holes.

#### Ordering Info (locking device not included)

Slide Length	mm	Inches	Cabinet Depth		Item	Price per pair		
			mm	inches		1-9	10-29	30+
280	11 1/2"		293	11 9/16"	1042477	\$20.12	17.50	Call
300	11 25/32"		313	12 11/32"	1042781	20.34	17.63	Call
320	12 1/8"		333	13 3/8"	1042657	20.56	17.75	Call
350	13 3/4"		363	14 5/8"	1044077	20.79	17.89	Call
380	14 15/16"		393	15 1/2"	1042660	21.01	18.00	Call
400	15 3/4"		413	16 3/8"	1044162	21.24	18.11	Call
420	16 17/32"		433	17 1/8"	1042484	21.47	18.25	Call
450	17 11/16"		463	18 1/4"	1044253	21.71	18.39	Call
480	18 7/8"		493	19 1/8"	1042487	21.96	18.52	Call
500	19 11/16"		513	20 1/2"	1039448	22.20	18.61	Call
520	20 15/32"		533	21"	1042481	22.41	18.70	Call
550	21 1/8"		563	22 3/8"	1044260	22.59	18.78	Call
600	23 7/8"		613	24 5/8"	1050437	22.79	18.94	Call

Lengths can be mixed for quantity pricing





## Integra Top Drawer Systems **alfit** **MEPLA**

Easiest, Quickest  
Most Economical Drawer  
System Available

100 lbs. load/ pair

### Applications

Kitchen & bath cabinets  
& residential furniture

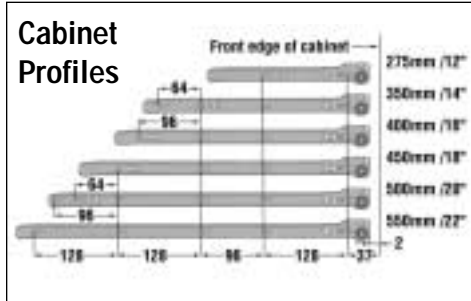
### Features

- Complete drawer system includes left & right slide and drawer side.
- Self-closing
- Side clearance of 31mm



**GRASS ZARGEN**  
System also available  
Please call for pricing & availability

### Cabinet Profiles



### Slide On Brackets

Finish: White

Packaging: Each.

6 x 5/8 screws recommended, not included.

Hand	Item	Ordering Info		
		1-9	10-29	30+
<b>A. 53mm</b>				
Left	MP9005L	\$1.79	\$1.53	Call
Right	MP9005R	1.79	1.53	Call
<b>A. 85mm &amp; 149mm</b>				
Left	MP9205L	.88	.75	Call
Right	MP9205R	.88	.75	Call
<b>B. Optional Cover Plate</b>				
	MP9112	.19	.17	Call

### Ordering Info

Finish: White

Packaging: 1 set.

6 x 5/8 screws recommended, not included.  
Must purchase front fixing parts separately.

Length	Item	Price per set		
		1-9	10-29	30+
<b>53mm Shallow Drawer Height</b>				
12"	MP9003275	\$5.51	\$4.73	Call
14"	MP9003350	5.51	4.73	Call
16"	MP9003400	6.00	5.15	Call
18"	MP9003450	6.49	5.57	Call
20"	MP9003500	6.98	5.99	Call
22"	MP9003550	7.60	6.51	Call
<b>85mm Standard Drawer Height</b>				
12"	MP9113275	\$5.51	\$4.73	Call
14"	MP9113350	5.51	4.73	Call
16"	MP9113400	6.00	5.15	Call
18"	MP9113450	6.49	5.57	Call
20"	MP9113500	6.98	5.99	Call
22"	MP9113550	7.60	6.51	Call
<b>149mm High Drawer Height</b>				
14"	MP9313350	\$11.64	\$9.98	Call
16"	MP9313400	12.13	10.40	Call
18"	MP9313450	12.62	10.82	Call
20"	MP9313500	12.99	11.13	Call
22"	MP9313550	13.72	11.76	Call

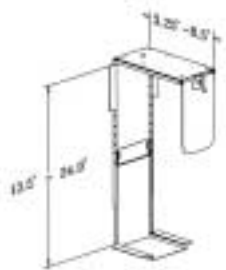
Lengths can be mixed for quantity pricing

## CPU Holder

### Features

- Adjusts to support most CPU sizes: 13 1/2" to 24" H X 3 1/4" to 8 1/2" W X any depth.
- 50 lb. weight capacity
- All metal construction weighs 6.8 lbs
- Finish is black wrinkle powder coating.

CPU-1 \$75.00 each.

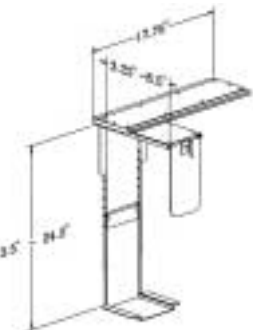


## CPU Holder with Slide & Swivel Feature

### Features

- 18" track length provides 13" of in /out adjustment range.
- 360° swivel for easy access to back panel
- Adjusts to support most CPU sizes: 13 1/2" to 24" H X 3 1/4" to 8 1/2" W X any depth.
- 50 lb. weight capacity
- All metal construction weighs 10.2 lbs
- Finish is black wrinkle powder coating.

CPU-2 \$125.00 each.



## Key1 -Keyboard Tray

### Full Extension

### Features

- Knob free, one touch adjustment
- 18" E-Z Glide track
- 18" Gel wrist rest
- Independent tilt & swivel mouse tray
- Integrated gel wrist / mouse pad

KEY-1 \$255.00 each.

## Key3 -Keyboard Tray

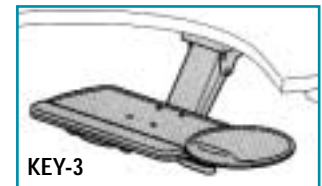
### Full Extension

### Features

- Same as Key1 plus these added features:
- 24" EZ-Glide track for corner worksurface application
- Extended reach arm

KEY-3 \$268.00 each.

## Keynetix



- Check out Storage & Convenience
- Check out Keyboard Slides

## US725

TV Swivel  
9" Extension  
88-100 lbs. dynamic load  
3/4" high x 12 1/2" wide x 14 3/8" deep

**Applications**

- Holds TV

**Features**

- 360 degree rotation
- Ball bearing slides

Low Cost, Low Profile TV Swivels



**Ordering Info**

Finish: Plate: brown epoxy.  
Slides: zinc plated.  
Mounting hardware not included.

Item	Price each		
	1-4	5-9	10+
US725	\$27.15	\$23.00	Call

## CB3620

*Accuride*  
TV Swivel  
14" Extension  
225 lbs. dynamic load  
2 1/8" high x 17 1/4" wide

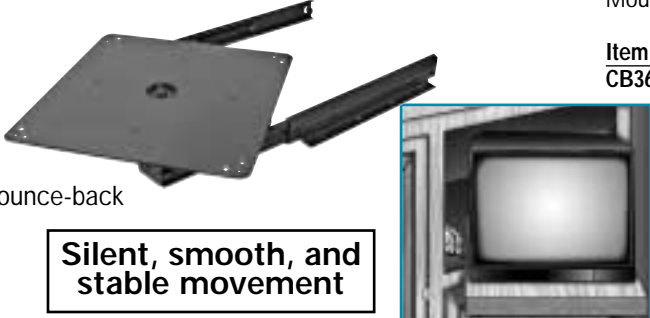
**Applications**

- TV up to 32" diagonal

**Features**

- Hold-in detent prevents roll-out and bounce-back
- 16" inch square mounting plate
- Traditional hole patterns
- Steel ball bearings

TV Swivel with 14" extension



Silent, smooth, and stable movement

**Ordering Info**

Finish: Black Zinc  
Mounting hardware included

Item	Price each		
	1	2-4	5+
CB3620-258TV	\$87.90	\$78.00	Call

## USFAL8000B

TV Swivel  
13 1/2" Extension  
110 lbs. dynamic load  
2 1/8" high

**Applications**

- Holds TV's

**Features**

- 25 1/8" wide x 14" deep plate
- 180° rotation
- Ball bearing slides

TV Swivel with 14" extension

**Ordering Info**

Finish: Plate: brown epoxy.  
Slides: zinc plated.  
Mounting hardware not included.

Item	Price each		
	1-4	5-9	10+
USFAL8000B	\$71.00	\$59.75	Call



## Low Cost, Low Profile TV Swivels

**Ordering Info**

Finish: Plate: brown epoxy.  
Slides: zinc plated.

Item	Price each		
	1-3	4-9	10+
US739.1	\$28.34	\$26.22	Call
US739.2	36.14	33.44	Call


Mounting hardware not included.

**US739.1** 8" Extension  
125 lbs. load  
1 5/8" high

**US739.2** 13 1/2" Extension  
150 lbs. load  
1 7/8" high

**Features**

- 12 1/2" sq. plate
- 360 degree rotation
- Ball bearing slides



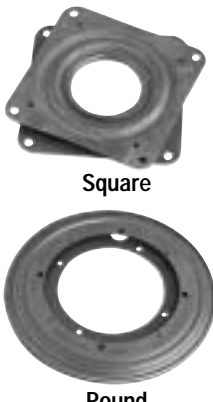
## Ball Bearing Swivel

Lightweight, thin, strong swivels with captive ball-bearings for smooth 360° turning. Only 5/16" thick.

Size	Load	Item	1-9	10+
3" Square	200 lb.	3"LSB	\$3.10	Call
4" Square	300 lb.	4"LSB	3.78	Call
6" Square	500 lb.	6"LSB	5.18	Call
9" Round	600 lb.	9"LSB	9.36	Call
12" Round	1000 lb.	12"LSB	10.00	Call

**Hold up to 1000 lbs.**

**Low Profile**



## Precision Aluminum Swivel

Precision-fit rings, one 1/8" higher than the other, captured large steel-ball bearings for non-binding rotation of 360°. For entertainment centers, bar units, and display cases. Equipped with removable non-skid rubber pads when used on dining table tops.

**Ideal for oversized TVs**

**Silent Operation**

Size	Load	Ht.	Item	Price each	
				1-9	10+
13" Round	400lb.	5/16"	X13	\$28.60	Call
17" Round	700lb.	5/8"	X17	65.10	Call







## 5700 Keyboard Tray **KNAPE & VOGT**

**5710 Keyboard & Mouse Tray**  
Complete Tray unit with seven-position height-adjustable mounting brackets  
75 lbs. load/pair

- Features**
- Brackets mount in "outboard" position under work surface for application widths 24" or greater, and in the "inboard" position for widths less than 24".
  - Precision steel ball bearing slide assembly
  - Adjustable wrist rest.
  - Friction latch in open position.



Keyboard Tray & Mouse Tray

Tray is 21<sup>3</sup>/<sub>4</sub>" wide

### Ordering info

Length: 18"

Finish: Slide and trays are black.  
Wrist rest is black PVC.

Mounting hardware included.

### Price each

Item	1-4	5-9	10+
5700-BLK-18"	\$69.50	52.98	Call
5710-BLK-18"	91.00	69.29	Call

### Technical info

- Adjustable Height:  
KV5700 from 2<sup>11</sup>/<sub>32</sub>"-3<sup>1</sup>/<sub>16</sub>"  
KV5710 from 2<sup>11</sup>/<sub>32</sub>" - 4<sup>1</sup>/<sub>4</sub>"
- 5710 only: Mouse tray opens to either left or right

## CBERGO-TRAY200

Keyboard Tray  
3/4 extension

- Features**
- Foam palm rest
  - Angled keyboard platform provides user comfort
  - Slides are fully concealed
  - Built in cable management
  - Mouse pad can be right or left handed

## Accuride® Deluxe Keyboard Tray



Tray is 29<sup>5</sup>/<sub>8</sub>" wide

### Ordering info

Length: 19<sup>1</sup>/<sub>2</sub>"

Finish: Slide and trays are black.  
Mounting hardware included.

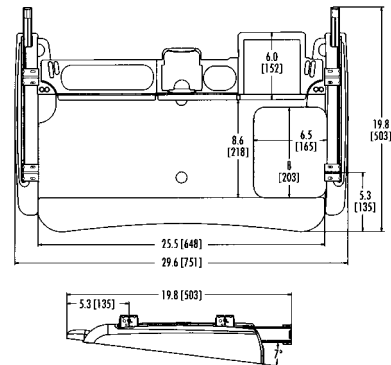
### Price each

Item	1-4	5-9	10+
CBERGO-TRAY200	\$98.44	\$76.33	Call
CBERGO-TRAY300	125.10	98.12	Call

## CBERGO-TRAY300

Deluxe Keyboard Tray  
full extension

- Features**
- Gel palm rest
  - Typing surface secures in partially or fully extended positions
  - Rear storage compartments
  - Adjustable keyboard platform offers three typing positions for maximum user comfort.
  - Built in cable management
  - Mouse pad can be right or left handed



## WT1329 Keyboard Tray

Wrist rest with built in pen and paper clip holder

**Applications:**

- Computer furniture

- Features:**
- Brackets mount in "outboard" position under work surface.
  - Pre-mounted steel ball bearing slide assembly.
  - Safety catch prevents movement in open position.
  - Bottom of tray adjusts from 2<sup>3</sup>/<sub>4</sub>" to 3<sup>1</sup>/<sub>4</sub>".
  - Wrist rest has built in pen and paper clip holder.

## Low Cost Keyboard Tray



Tray is 20<sup>3</sup>/<sub>8</sub>" wide

### Ordering info

Finish: Putty

Mounting hardware included.

### Price each

Item	1-4	5-9	10+
WT1329	\$24.50	22.99	Call

### Technical info:

- Inside tray dimension:  
9<sup>1</sup>/<sub>2</sub>" deep x 20<sup>3</sup>/<sub>8</sub>" wide x 3<sup>1</sup>/<sub>4</sub>" high
- Outside tray dimension:  
12<sup>1</sup>/<sub>2</sub>" deep x 21<sup>1</sup>/<sub>4</sub>" wide x 1<sup>3</sup>/<sub>8</sub>" high
- Slide length:  
13<sup>1</sup>/<sub>2</sub>" closed-24" extended  
(10<sup>1</sup>/<sub>2</sub>" extension)

- Check out Flipper door slides
- Check out Storage & Convenience

## Hawa-Turnaway 15/X1

For door weights up to 15 kg (33 lbs.)

### Applications

- Television and audio cabinets, counters & desks.
- Fits doors up to 600-1050 mm in height (25 $\frac{5}{8}$ " to 41 $\frac{3}{8}$ " )
- Door thickness from 16-38 mm ( $\frac{5}{8}$ "-1 $\frac{1}{2}$ " )
- Mounting hardware included

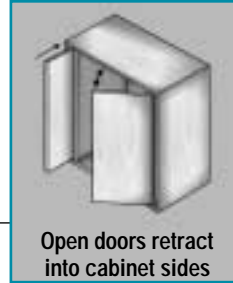
### Ordering Info

Finish: Aluminum

Packaging: set (for one door)

Inside height:

Dim. "H"		Dim. "T"		Dim. "D"		Left	Right	Price Each
mm	inches	mm	inches	mm	inches			
600-650	23 $\frac{5}{8}$ "-25 $\frac{5}{8}$ "	435	17 $\frac{1}{8}$ "	490	19 $\frac{5}{16}$ "	407.71.131	407.71.033	\$520.00
700-750	27 $\frac{1}{16}$ "-29 $\frac{3}{16}$ "	505	19 $\frac{7}{8}$ "	560	22 $\frac{1}{16}$ "	407.71.159	407.71.051	520.00
750-800	29 $\frac{1}{2}$ "-31 $\frac{1}{2}$ "	545	21 $\frac{7}{16}$ "	600	23 $\frac{3}{8}$ "	407.71.168	407.71.060	520.00
800-1050	31 $\frac{1}{2}$ "-41 $\frac{3}{8}$ "	575	22 $\frac{5}{8}$ "	630	24 $\frac{13}{16}$ "	407.71.177	407.71.079	520.00



Open doors retract into cabinet sides

H = Inside height  
T = Maximum door travel (retraction)  
D = Inside cabinet depth. Equal to or more than dim. T, for maximum door travel.

Allows an open door to retract into cabinet sides



For doors...  
• 77 lbs  
• 110" high  
• 1 $\frac{3}{4}$ " Thick

Adjustable hinges are fastened to the upright guides.

15/X1: one scissor assembly with two hinges for light doors.

25/X2: one scissor assembly with two hinges for short & light doors.

35/X3: one reinforced scissor assembly with two hinges for large & heavy doors.

## Hawa-Turnaway 25/X2

For door weights up to 25 kg (55 lbs.)

- For short and light doors.
- Door thickness from 19-45 mm ( $\frac{3}{4}$ "-1 $\frac{3}{4}$ " )
- Door height from 1050-1800 mm (41 $\frac{3}{8}$ "-70 $\frac{7}{8}$ " )
- Mounting hardware included

### Ordering Info

Finish: Aluminum

Packaging: set (for one door)

Inside height:

Dim. "H"		Dim. "T"		Dim. "D"		Left	Right	Price Each
mm	inches	mm	inches	mm	inches			
1050-1200	41 $\frac{3}{8}$ "-47 $\frac{1}{4}$ "	700	27 $\frac{9}{16}$ "	765	30 $\frac{1}{8}$ "	407.72.165	407.72.067	\$616.00
1200-1500	47 $\frac{1}{4}$ "-59 $\frac{1}{16}$ "	780	30 $\frac{11}{16}$ "	845	33 $\frac{1}{4}$ "	407.72.174	407.72.076	616.00
1260-1800	49 $\frac{5}{8}$ "-70 $\frac{7}{8}$ "	820	32 $\frac{5}{16}$ "	885	34 $\frac{7}{8}$ "	407.72.183	407.72.085	616.00

## Hawa-Turnaway 35/X3

For door weights up to 35 kg (77 lbs.)

- Door height from 1260-2450 mm (49 $\frac{5}{8}$ "-96 $\frac{1}{2}$ " )
- Mounting hardware included

### Ordering Info

Finish: Aluminum

Packaging: set (for one door)

Inside height:

Dim. "H"		Dim. "T"		Dim. "D"		Left	Right	Price Each
mm	inches	mm	inches	mm	inches			
1260-2450	49 $\frac{5}{8}$ "-96 $\frac{1}{2}$ "	820	32 $\frac{5}{16}$ "	885	34 $\frac{7}{8}$ "	407.73.153	407.73.055	\$705.00

## Hawa-Turnaway 30/X4

For door weights up to 30 kg (66 lbs.)

- Door height from 2450-2800 mm (96 $\frac{1}{2}$ "-110 $\frac{1}{4}$ " )
- Door thickness from 19-44 mm ( $\frac{3}{4}$ "-1 $\frac{3}{4}$ " )
- Mounting hardware included

### Ordering Info

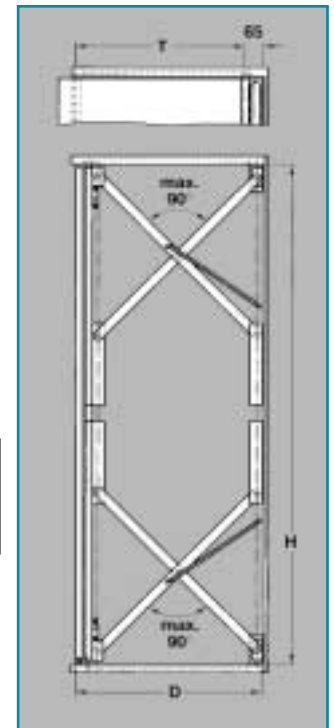
Finish: Aluminum

Packaging: set (for one door)

Inside height:

Dim. "H"		Dim. "T"		Dim. "D"		Left	Right	Price Each
mm	inches	mm	inches	mm	inches			
2450-2800	96 $\frac{1}{2}$ "-110 $\frac{1}{4}$ "	820	32 $\frac{5}{16}$ "	885	34 $\frac{7}{8}$ "	407.73.377	407.73.279	\$780.00

H = Inside height  
T = Maximum door travel (retraction)  
D = Inside cabinet depth. Equal to or more than dim. T, for maximum door travel.



35/X4: two scissor assemblies with two hinges each for large & heavy doors.