



Slide Out Wastebaskets

All single bin units use full-extension slides for complete access to rear bin. Plastic bins are included. All units come unassembled and mount to cabinet floor with 4 screws (provided).



Door mounting bracket kit available, call for info.

Minimum cabinet measurements:

16 1/2"H x 9"W x 22"D		Price each		
Qts.	Item	1-4	5-9	10+
20	PSW9-1-20-W	\$51.80	\$41.84	Call

Minimum cabinet measurements:

19"H x 9 1/2"W x 22"D		Price each		
Qts.	Item	1-4	5-9	10+
30	PSW10-1-30-W	\$52.53	\$42.99	Call

Minimum cabinet measurements:

19"H x 12"W x 22"D		Price each		
Qts.	Item	1-4	5-9	10+
30	PSW12-1-30-W	\$54.80	\$44.84	Call
35	PSW12-1-35-W	57.69	47.20	Call

Minimum cabinet measurements:

16"H x 15"W x 16"D		Price each		
Qts.	Item	1-4	5-9	10+
20	PSW15-1-20-W	\$55.67	\$45.55	Call

Minimum cabinet measurements:

19"H x 18"W x 16"D		Price each		
Qts.	Item	1-4	5-9	10+
30	PSW18-1-30-W	63.47	51.93	Call

Replacement Bin

Replacement bin for 30 quart wastebaskets. 18"H x 15 1/2"W x 9 1/2"D. Other sizes available.



Item	Price each		
	1-4	5-9	10+
QT30	\$10.00	\$8.18	Call

Rollout Recycling Center

All single bin units use full-extension slides for complete access to rear bin. Two plastic bins are colored to match base assembly. Units come with four screws provided.

Height 19 1/2"
Depth 23"
Width 12"



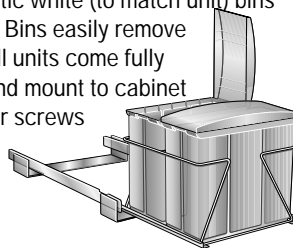
Door mounting bracket kit

Item	1-4	5-9	10+
PDMKT-1.5-1-W	\$17.78	\$14.55	Call

Wastebaskets with Lids

Wire cage mounted directly to roller bearing, epoxy-coated slides. 20 quart capacity per bin. Double bin unit uses over-extension slides for complete access to rear bin. Plastic white (to match unit) bins are included. Bins easily remove from cage. All units come fully assembled and mount to cabinet floor with four screws provided.

Depth: 22"
Height: 19 1/2"
Width: 15"



Item	Price each		
	1-4	5-9	10+
PLSW9-1-20-W	\$68.30	\$54.64	Call
PLSW15-2-20-W	104.82	83.86	Call
PLSW9-3-20-W	128.10	102.48	Call

Minimum cabinet measurements:

19 1/2"H x 12"W x 22"D		Price each		
Qts.	Item	1-4	5-9	10+
54	PRC12-2-27-W	\$93.17	\$76.23	Call

Minimum cabinet measurements:

16"H x 15"W x 22"D		Price each		
Qts.	Item	1-4	5-9	10+
40	PSW15-2-20-W	\$81.3	\$66.71	Call

Minimum cabinet measurements:

19 1/2"H x 15"W x 22"D		Price each		
Qts.	Item	1-4	5-9	10+
70	PSW15-2-35-W	\$95.00	\$77.72	Call

Minimum cabinet measurements:

20"H x 18"W x 22"D		Price each		
Qts.	Item	1-4	5-9	10+
60	PSW18-2-30-W	\$90.73	\$74.24	Call

Stemware Rack

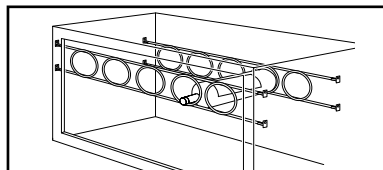
Opening Width: 3 3/8"
Length: 11" or 16"



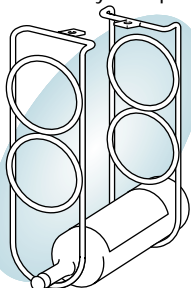
Length	Finish	Item	Price each	
			1-9	10+
10"	Brass	XXWG11BR	\$3.99	Call
10"	Chrome	XXWG11CH	3.99	Call
16"	Brass	XXWG/16B	3.99	Call
16"	Chrome	XXWG/16C	3.99	Call

Wine Racks

- Wine bottle holders are available in two styles: Vertical and Horizontal
- Vertical design holds one, two, or three bottles.
- Horizontal design holds 9 bottles. It's expandable from 39 3/8" to 35 3/8" wide.
- Packed in sets, each holder includes front and back which mount independently. Installs easily with provided screws.



Horizontal design Finish	Item	Price per set	
		1-5	6+
Brass	WR4162B	\$27.61	\$23.85
Chrome	WR4162C	24.97	21.57



# of Bottles	Width	Height	Finish	Item	1-4	5-9	10+
1	4 1/4"	5 1/2"	Brass	WR-1B	\$10.09	\$8.25	Call
			Chrome	WR-1C			
2	4 3/8"	10"	Brass	WR-2B	13.58	11.11	Call
			Chrome	WR-2C			
3	4 3/8"	14 1/2"	Brass	WR-3B	17.14	14.01	Call
			Chrome	WR-3C			

Slide-Out Towel Bars

- Mounts to either right or left side of cabinet.
- Friction free ball bearing carrier and an anochrome finish.
- 1 3/4" high x 5" wide x 18" deep



Item	Price each		
	1-4	5-9	10+
P793-ANO	\$24.77	\$20.27	Call

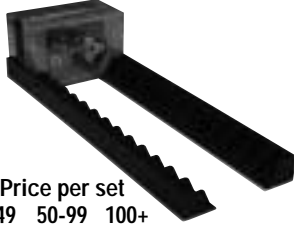
- Check out Closet & Shelving Hardware
- Check out Functional Cabinet Hardware

Storage Rails

- Sleek design for flexibility.
- Easy to install with self adhesive tabs or screws.
- Economical.
- High quality Black ABS plastic.

Audio Cassette Rails

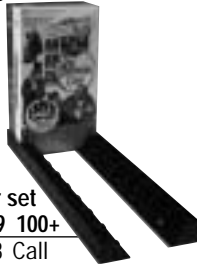
Stores 16



Item	Price per set		
	1-49	50-99	100+
WT7135	\$2.99	\$2.08	Call

Video Cassette Rails

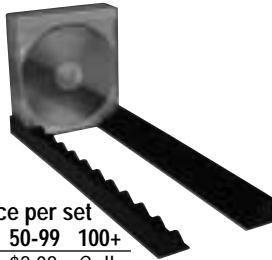
Stores 10



Item	Price per set		
	1-49	50-99	100+
WT7136	\$2.99	\$2.08	Call

Compact Disc Rails

Stores 24



Item	Price per set		
	1-49	50-99	100+
WT7137	\$2.99	\$2.08	Call

Polymer Lazy Susans

Polymer lazy susans feature a textured polymer surface, chrome-plated telescoping post and extra deep 1" rim height. Hardware features a plastic wheel plate which screws onto the underside of the susan. Mating shaft collar on full-round shelves is flat allowing unencumbered 360° rotation. Collar is detented on kidney shelves to orient shelf with cabinet opening.

Full-Round Polymer Susan

Mounting Top/Bottom
Post Range 26" to 34"
2 shelves



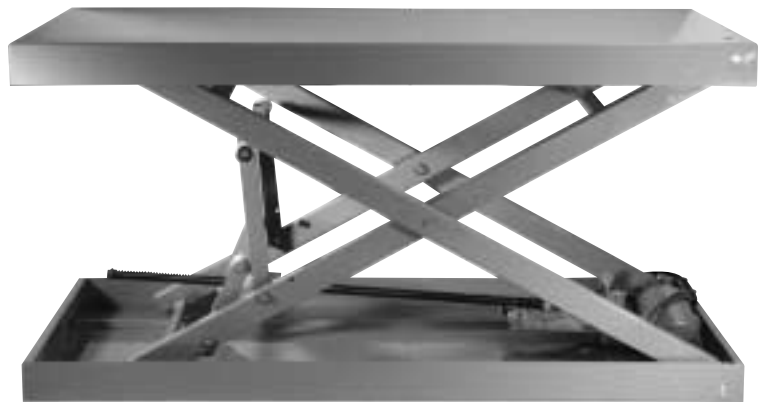
Dia.	Item	Price each	
		1-9	10+
18"	PFN18ST	\$44.91	Call
20"	PFN20ST	55.14	Call
24"	PFN24ST	64.63	Call
28"	PFN28ST	87.59	Call
32"	PFN32ST	126.50	Call
3 Shelf Unit			
18"	FEPPR18S3T	\$57.75	Call

Kidney-Shaped Polymer Susan

Mounting Top/Bottom
Post Range 26" to 34"
2 shelves



Dia.	Item	Price each	
		1-9	10+
Kidney Shaped Lazy Susan			
18"	PKN18ST	\$62.62	Call
24"	PKN24ST	84.95	Call
28"	PKN28ST	102.03	Call
32"	PKN32ST	112.93	Call
Pie Cut Lazy Susan			
24"	PPN24SW	84.95	Call
28"	PPN28SW	102.03	Call



Electronic Lift Mechanism

Installation instructions and trouble shooting guide provided with every unit.

Features:

- Compact unit for use in furniture for TV, stereo, computer, bar, office: in RV'S and yachts, etc.
- Supplied with remote control
- 110V-60Hz grounded transformer
- Low tension reduction gear motor, 24V DC with continuous screw and electromechanical stop.
- Top & bottom "box" parts made from sheet metal and pre-drilled for easy installation.



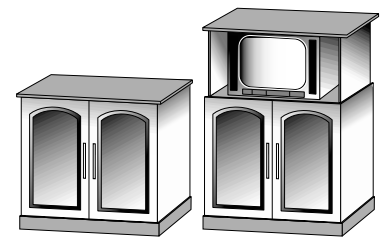
Transformer



Push Button (closeup)



Remote control



Closed

Open

Length	Depth	Min.Height	Max.Height	Travel	Wt.Cap	Item	Price ea.
27 ¹ / ₁₆ " (700 mm)	15 ⁵ / ₃₂ " (385 mm)	5 ¹ / ₄ " (134 mm)	22 ²⁷ / ₃₂ " (580 mm)	18 ¹ / ₂ " (470 mm)	198 lbs.	WT4040	\$1019.50
32 ⁷ / ₈ " (835 mm)	15 ⁵ / ₃₂ " (385 mm)	5 ¹ / ₄ " (134 mm)	26 ³ / ₄ " (680 mm)	22 ⁷ / ₁₆ " (570 mm)	198 lbs.	WT4041	\$1058.00
37 ¹³ / ₁₆ " (960 mm)	15 ⁵ / ₃₂ " (385 mm)	5 ¹ / ₄ " (134 mm)	32" (813 mm)	27 ¹ / ₂ " (700 mm)	286 lbs.	WT4042	\$1159.50



All items on this page are White Epoxy unless otherwise noted

Pantry Roll Out

- Allows any combination of baskets to be installed for complete versatility.
- Uses Full extension slides.
- Max. storage capacity is 150 lbs.
- Width: 3/4"
- Depth: 22"



Item	Price each		
	1-4	5-9	10+
47 1/4" to 54"H			
P-4650FE	\$143.78	\$115.02	Call
55 1/4" to 62"H			
P-5450FE	\$143.78	\$115.02	Call

Tray Divider

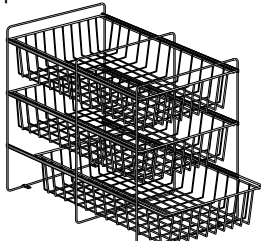
- Heavy gauge 1/4" diameter steel wire
- Shipped complete with nylon fittings and screws.
- Depth 19 3/4"
- Width 7 1/8"



Height	Item	Price each	
		1-9	10+
12"	TD12	\$9.85	Call
18"	TD18	12.49	Call

3 Tier Vegetable Basket

- Mounts to cabinet floor.
- Baskets slide out in coated steel channels.
- Mounting clips and screws are included.
- Height 19 3/4"
- Depth 21 3/8"



Width	Item	Price each		
		1-4	5-9	10+
11"	VBA113	\$66.73	\$61.91	Call
14"	VBA143	74.09	68.74	Call

Base Cabinet Organizer

- Six vertical basket positions
- Fits System 32 boring pattern.
- Bi-directional slides are rated at 75 lb class and include a stay closed feature at either end.
- Unit is non-handed and fits either right or left hand door applications.
- Height: 25 1/4" Width: 1 3/4" Depth: 22"



Item	1-4	5+
BCO-2456	\$58.05	Call

Wire Half-Moon Glide Out Lazy Susan

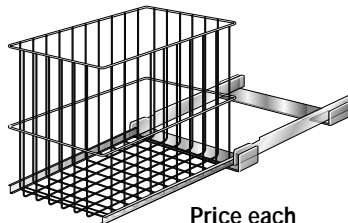


- Makes access into blind corner cabinets easy.
- Shelf pivots out of blind corner cabinets and extends 13" on quiet, ball-bearing slides.
- Wire shelf includes 1 1/2" high fence.
- Use for either right or left hand cabinets.
- Hardware includes a stop to prevent unit from hitting back of cabinet.

Cabinet Opening	Item	1-4	5-9	10+
12 3/4"	HM-25-G	\$49.20	\$45.60	Call
14 1/2"	HM-28-G	57.36	53.16	Call
17 1/2"	HM-34-G	61.07	56.60	Call

Roll-Out Hamper

- Includes a heavy gauge wire basket which ventilates soiled clothing.
- Basket is easily removable for transport.
- Height: 18 1/2", Depth: 18 3/4"



Width	Item	Price each		
		1-4	5-9	10+
11"	H1218	\$61.38	\$49.10	Call
14"	H1518	63.03	50.42	Call

Base and Pantry Baskets

- Base roll out carrier holds up to six baskets 4" to 12" W.
- Basket Dimension: 3 1/4"H x 21 1/2"D
- Carrier Dimension: 18 7/8"H x 22"D



Baskets & Carrier sold separately

Basket Width	Item	Price each		
		1-9	10-24	25+
4"	BP-4	\$7.78	\$7.21	Call
5"	BP-5	7.87	7.30	Call
6"	BP-6	8.44	7.83	Call
7"	BP-7	9.31	8.63	Call
8"	BP-8	9.31	8.63	Call
9"	BP-9	9.36	8.68	Call
10"	BP-10	9.70	9.00	Call
12"	BP-12	10.17	9.44	Call
	Item	1-2	3-5	6+
	Carrier B-1700	43.18	40.06	Call

Multi-Use Basket

- Sturdy, large capacity basket.
- Installs on shelves or cabinet floor.
- Sized for use in kitchen or vanity cabinets.
- Height 5"
- Depth 18 7/8"



Width	Item	Price each		
		1-4	5-9	10+
11"	MU11	\$29.64	\$26.68	Call
14"	MU14	32.11	28.90	Call

Undersink Baskets

- Unit mounts to cabinet floor.
- Removable top basket attaches directly to base basket.
- Height 10 1/4"
- Width 12"
- Depth 16"



Item	Price each		
	1-4	5-9	10+
USB11TM	\$39.71	\$35.74	Call

All items on this page are Chrome unless otherwise noted

Pivot-Out System for Blind Corner Base Cabinets

- Makes the most of the tight space at the corner junction of cabinets.
- Includes a pair of adjustable door mounted front baskets that pivot-out of the cabinet when the door is opened plus a pair of adjustable rear baskets that move forward into the door opening to bring the items in the rear of the cabinet to you.
- It's available for both right and left-handed applications, so every corner cabinet in the kitchen can be made fully functional.
- Chrome plated finish
- A minimum door opening of 20½" H x 35½" W x 19"D for installation.



Handing	Item	Price each
Left Corner	POSBBCBR-C	\$699.30
Right Corner	POSBBCBL-C	\$699.30

Pie-Cut Wire Lazy Susans

- Unique shelf shape provides a closer fit of the cabinet door to the shelf, allowing for a larger diameter shelf.
- Shelves rotate independently and are height adjustable.
- Chrome plated, closely spaced shelf wires resist dust and dirt, and prevent items from tipping.
- Adjustable Shelves from 28½" to 30½" high



Dia.	Item	Price each
24"	PC24STM-C	\$110.05
28"	PC28STM-C	122.32



Wire Lazy Susan Fences

- Heavy gauge wire, 1½" high fences
- Chrome-plated for exceptional durability and beauty.
- Install directly through pre-positioned drill out holes in the rims of Polymer Lazy Susans, or are the perfect finishing element to custom wood trays.

Size	Item	Price each
Full Round 18" Dia.	WF18-2FR-C	\$24.00
Full Round 24" Dia.	WF24-2FR-C	29.00
Kidney Shaped 24" Dia.	WF24-2K-C	30.00
Full Round 28" Dia.	WF28-2FR-C	32.00
Kidney Shaped 28" Dia.	WF28-2K-C	34.00

Pivot-Out System for Pantry Cabinets

- Efficiently organize a multitude of items—several rows deep—and still keep every one of them within an easy arms reach.
- Fully adjustable baskets that pivot out on full extension slides from the back of cabinet every time the door is opened.
- Includes a full length door mounted ladder with 4 adjustable baskets to expand available storage space.
- Open wire construction and chrome-plated finish make for easy cleaning.



Size	Item	Price each
37½" to 52½" H x 20½" W x 19½" D	POSPC4220-C	\$678.80
51½" to 67¾" H x 14½" W x 19½" D	POSPC5314-C	\$703.22

Full-Round Wire Lazy Susans

- Full-round model gives users 360° of storage space on each of two shelves.
- Shelves rotate independently.
- Flat surface bearings and shaft collars ease rotation.
- Chrome plated, closely spaced shelf wires resist dust and dirt, and prevent items from tipping.



Size	Item	Price each
18½"H x 18" Dia.	FR18S-C	\$91.72
28½" to 30½" H (adjustable)		
24" Diameter	FR21STM-C	104.06
28" Diameter	FR28STM-C	112.16

Pantry Roll-Out

- Easy-to-pull vertical rack provides two sides of storage.
- Uses different combinations of Base and Pantry Baskets (sold separately)
- Full-extension slides allows easy access to rear of cabinet.
- Supports up to 150 pounds.
- Open wire construction and chrome-plated finish.



Size	Item	Price each
46¾" to 53½" H x 4½" W x 22" D	P4650FE-C	\$170.80
54¾" to 61½" H x 4½" W x 22" D	P5450FE-C	\$182.90

Base & Pantry Baskets

- For use with the Pantry Roll-Out.
- Baskets attach easily and are adjustable and removable.
- Chrome plated finish.
- All baskets are 3¾" high x 21¾" deep

Width	Item	Price each
4"	BP4-C	\$11.66
6"	BP6-C	12.44
9"	BP9-C	14.04
10"	BP10-C	14.66
12"	BP12-C	16.10

Half-Moon Wire Glide-Out Lazy Susans

- Allows maximum accessibility in a blind corner cabinet.
- Shelf "pivots out" a full 13" on heavy-duty, whisper quiet ball bearing slides.
- A stop prevents the shelf from hitting the back of the cabinet when the door is closed.
- Chrome-plated wire shelf includes a 1½" high fence to keep items in a place.
- May be used in both right and left handed corner cabinet applications.
- Shelf is 4½" high



Size	Item	Price each
12¼"W x 25½"D	HM25G-C	\$75.54
14½"W x 28½"D	HM28G-C	75.54
17½"W x 34½"D	HM34G-C	80.44



Plastic Sink Front Tray

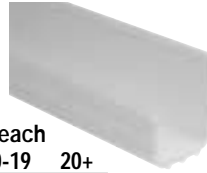
- Seamless, watertight tray.
- Easily cleanable.
- Height: 3"
- Depth: 2"



Width	Item	Price each		
		1-9	10-19	20+
11"	PSF-11	\$4.78	\$3.82	Call
14"	PSF-14	5.13	4.10	Call

Extruded Sink Front Tray

- White PVC tray can be cut to fit any length
- For finished ends, use hardware kit, sold separately
- Height: 2¾", Depth: 2⅝"
- Width: 34"



FEXSF34-10	Price each		
	1-9	10-19	20+
	\$8.70	\$6.98	Call

Hardware Kit

- Includes: two end caps, two Scissor Hinges, & adhesive.



Item	Price each		
	1-9	10-19	20+
XSF-H-SH	\$10.63	\$8.50	Call

Double Tier Cutlery Tray

The two-tiered unit comes pre-assembled with epoxy coated drawer slides. Installs and cleans-up easily.
Min.Depth 17¼"
Height 3½"



Dimensions	Item	Price each		
		1-4	5-9	10+
12¼" to 14¾"W	FE1475	\$57.60	\$53.44	\$49.60
15¼" to 17¾"W	FE1775	63.31	58.73	54.51
18¼" to 20¾"W	FE2075	63.00	58.45	54.25

Utility tray also available.

Sink Front Tray

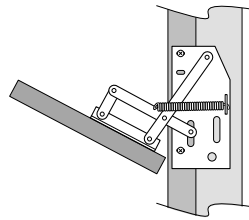
- Stainless Steel
- Height 3"
- Depth 2"



Hinges are not included

Scissors Hinge

Spring loaded, self-closing concealed Scissors Hinge fits both traditional frame or contemporary frameless cabinet applications. Hinges have an internal stop. Hinges open smoothly and evenly on any length panel.
Height 3¾"
Depth 1¾"
Width ¾"



Item	Price per pair		
	1-4	5-9	10+
SH	\$6.28	\$5.84	Call

Tableware Tray

Organizes all flatware in neat compartments. High impact, high gloss polystyrene is durable and cleans up easily. Cut-to-fit widths shown below.
Depth 17" to 21½"
Height 2½"



Interior Drawer	Price each		
Width	Item	1-4	5+
8½"-12"	TW850	\$9.90	Call
12½"-15"	TW1217	11.05	Call
15½"-18"	TW1517	13.95	Call
18½"-21½"	TW1817	16.43	Call

Door Ladder

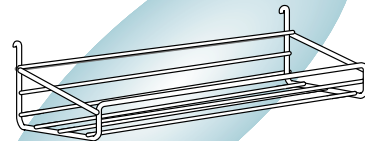
Attaches to pantry door. Rungs are spaced 2" apart. Ladders can be cut to shorter lengths and mounted with standard nylon fittings.
Width 11⅝"
Order baskets separately



Height	Item	Price each		
		1-4	5-9	10+
18"	DL1800	\$13.19	\$12.24	Call
25"	DL2500	15.50	14.38	Call
47"	DL4700	18.83	17.47	Call
59"	DL5900	20.68	19.19	Call

Swing-Out Baskets

Standard basket designed for use with door ladders and other wire storage products.
Width 10¾"
Depth 4"
Height 3½"



Item	Price each		
	1-4	5-9	10+
SB1043	\$7.65	\$7.10	Call

Spice Rack

Feeny's Spice Racks have four tiers to help organize spices, condiments, cans, etc. The bottom tier is 3½" deep for items such as soup cans. Mounts directly to door using only four screws.
Height 21"
Depth 4"



Width	Item	Price each		
		1-4	5-9	10+
7¾"	SR12	\$18.99	\$17.62	Call
10¾"	SR15	19.12	17.74	Call
13¾"	SR18	19.84	18.40	Call

- Check out *Decorative Knobs & Pulls*
- Check out *Door & Window Accessories*

Built-In Ironing Centers

There is no longer any reason to lug that heavy ironing board out of the closet.

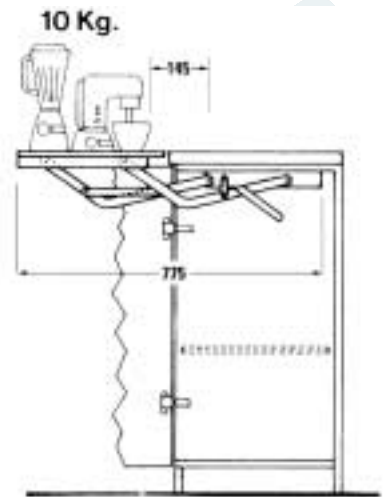
We offer many styles and sizes of ironing boards that are built right into your wall.

It is a great way to save time ironing and conserve space in your house.



Hideaway Shelf

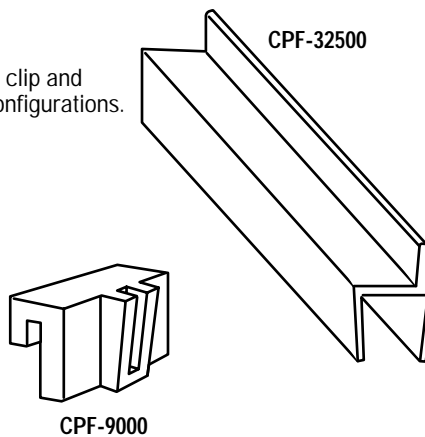
- Allows you to keep your home appliances from cluttering your countertops
- The shelf is held in place by two sturdy side hooks which also prevent moving and slipping back into place
- Two sturdy springs keep the weight balanced making extraction easy.
- Easily unhooked by a simple upward movement



Hanging File Rail

- Designed to fit over a 1/2" drawer side.
- Can be used with (CPF-9000) hanging file rail clip and 1/2" bar for combination legal/letter drawer configurations.
- Sold per 8' length.

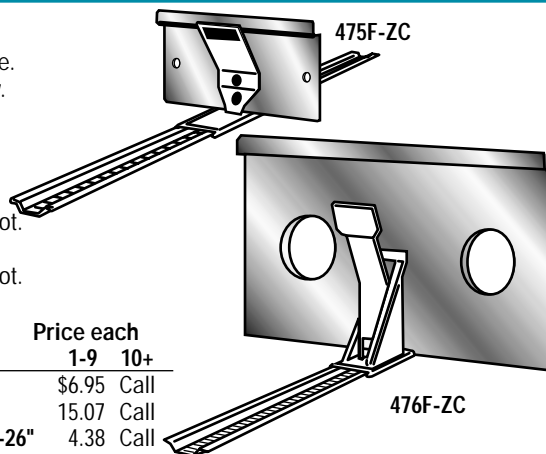
Finish	Item	Price each	
		1-9	10+
Black	CPF-32500	\$4.50	Call
White	CPF-312501	4.99	Call
Rail Clip			
Black	CPF-9000	.49	Call



Index Followers and Track

- Available in both card and letter size.
- Order follower and track separately.
- Anochrome finish.
- Card Size dimensions: 2 1/16" x 4 3/4"
- Letter Size Dimensions: 7 7/8" x 10 1/4"
- When 475F-ZC follower is used, track may be recessed in 1 3/4" x 1/4" slot.
- When 476F-ZC follower is used, track may be recessed in 2 3/4" x 1/4" slot.

Description	Item	Price each	
		1-9	10+
Card Size Index Follower	475F-ZC	\$6.95	Call
Letter Size File Follower	476F-ZC	15.07	Call
26" Track	476T-ZC-26"	4.38	Call



Item	Price each		
	1-9	10-19	20+
USSLM	\$72.50	\$58.00	Call